



Light Module Ø 50 Cm Lunaop

4000K

Emiliana Martinelli

colors



Typology Pendant
Utilisation Indoor

24V 45.2 W 4239 lm



diffuse light

Hanging lamp, diameter 50cm, diffused light, coated aluminum structure in various finishes.
White frost methacrylate diffuser.

The structure needs to be connected to the ceiling through the canopy, both for the single version and for the version composed by more than one Lunaop. LED light source integrated, 4000K, 3000K or 2700K.

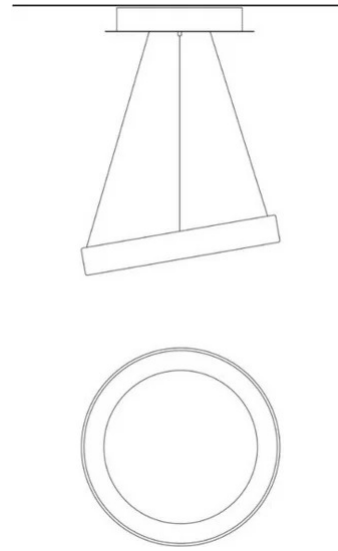
Canopy to be ordered separately available in accessories.

Award





Family	Light module Ø 50 cm Lunaop
Typology	Pendant
Utilisation	Indoor



Dimensions

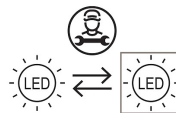
Height	6,5 cm
Diameter	50 cm
Power supply cable length	400 cm
Weight	1,3 Kg

Materials

Structure	aluminium	Diffuser	methacrylate 040
-----------	-----------	----------	------------------

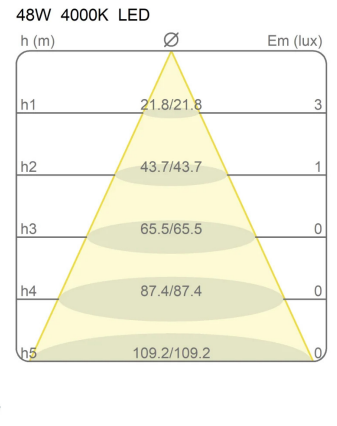
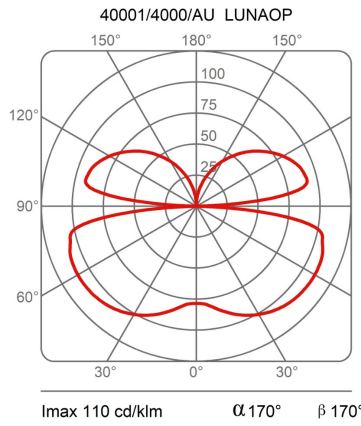
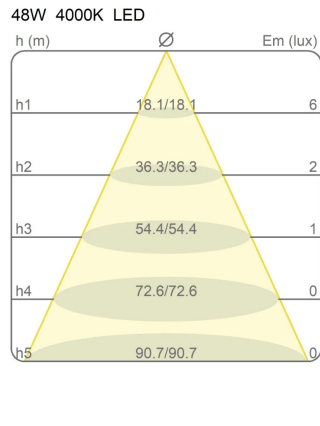
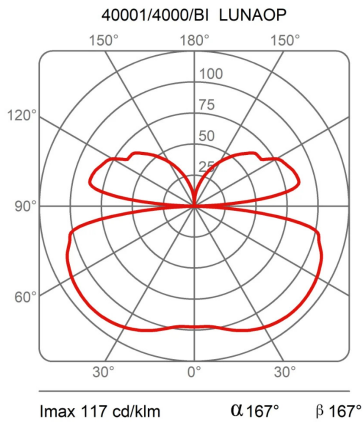
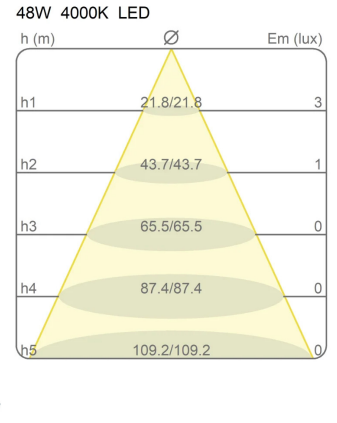
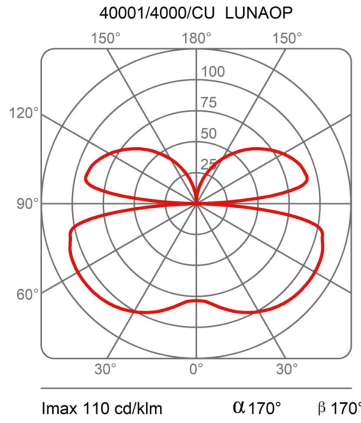
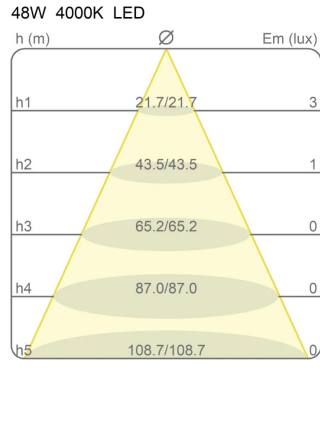
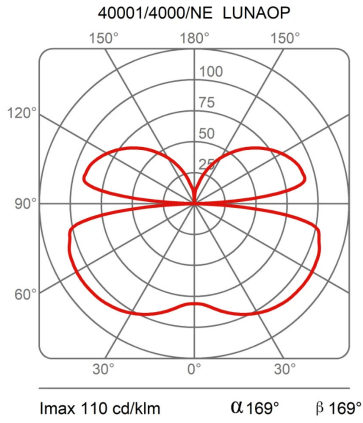
Voltage	24V	Watt	45,2 W
Power unit	Excluded	Lumen	4239 lm
Mounting Power Supply	External	CRI	>80
		CCT	4000 K
		Energy class	F

Certifications





Photometric curves



Colour variant code



40001/4000/BI

White



40001/4000/NE

Black



40001/4000/AU

Pearl Gold

40001/4000/BM

Bronze
Textured

40001/4000/OV

Vintage
Brass